

# Water Control Equipment

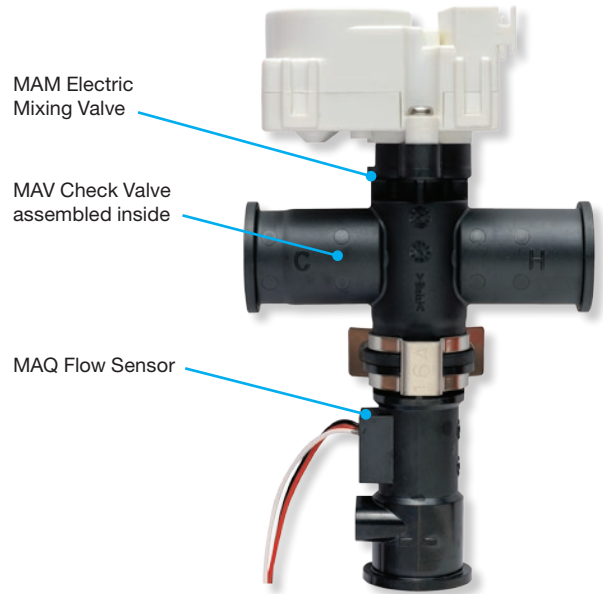
Fujikoki America Inc. 4040 Bronze Way, Dallas TX 75237  
Tel + 1-214-333-4266 / www.fujikoki.com

MAM 3-Way • MAQ • MAV • DPM • DPV • MAM 2-Way

Fujikoki designs and manufactures water flow control devices for home and commercial water heating, including electric expansion valves, water mixing valves, solenoid valves, 3-way valves, check valves, pressure sensors, and flow sensors.

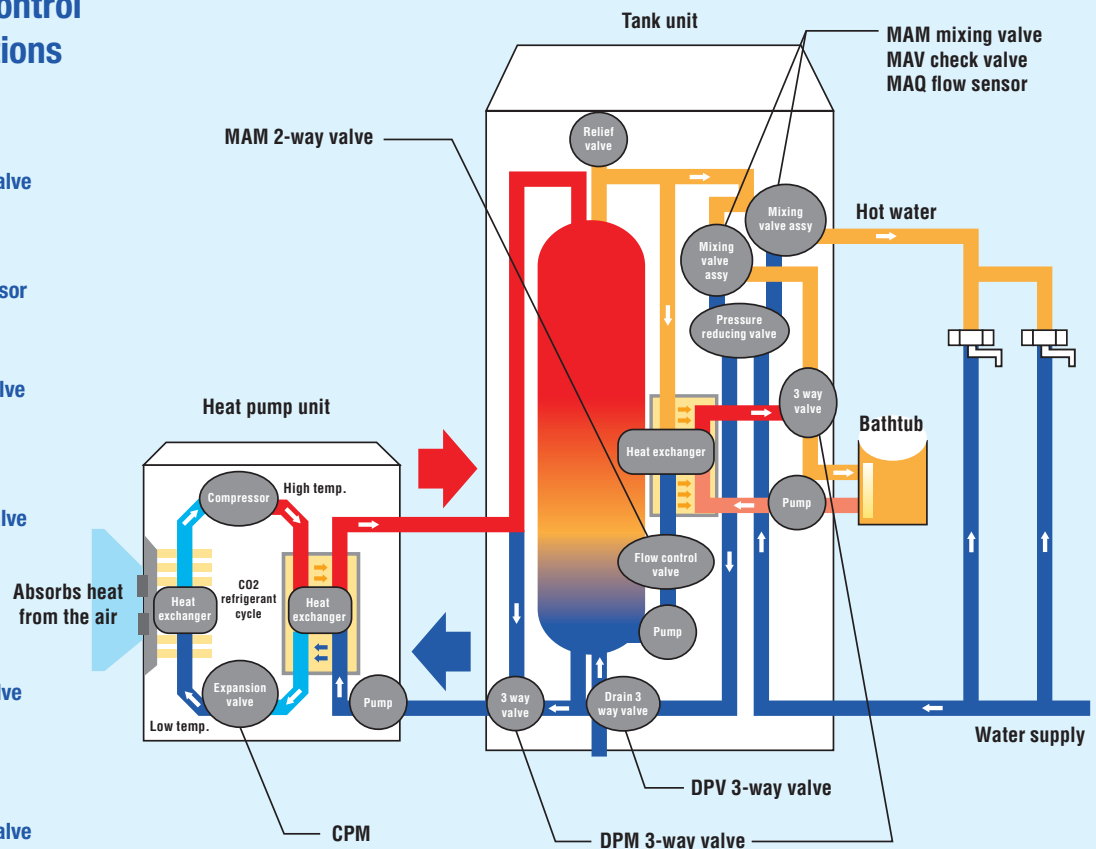
Incorporated into our wide range of control equipment for hot water is our unique, state-of-the-art technology.

Valves can be provided alone or as an assembly with flow sensor and check valves.



**MAA Electric Mixing Valve Assembly**

## Fujikoki Water Control Product Applications

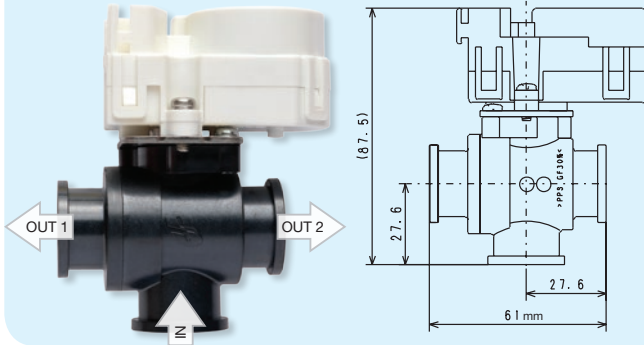


# Water Control Equipment

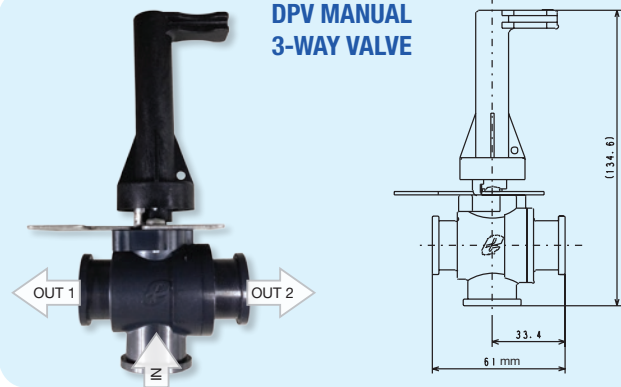
Fujikoki America Inc. 4040 Bronze Way, Dallas TX 75237  
Tel + 1-214-333-4266 / www.fujikoki.com

MAM 3-Way • MAQ • MAV • DPM • DPV • MAM 2-Way

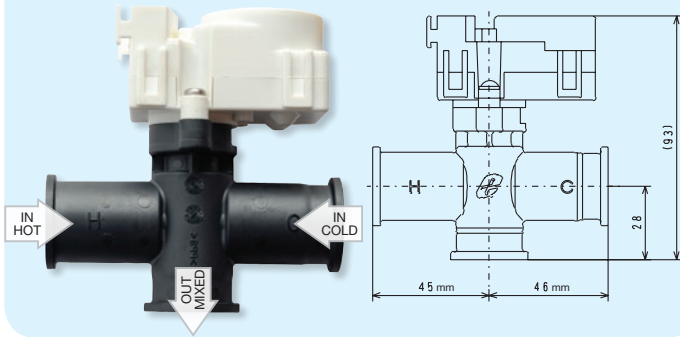
**DPM ELECTRIC 3-WAY VALVE**



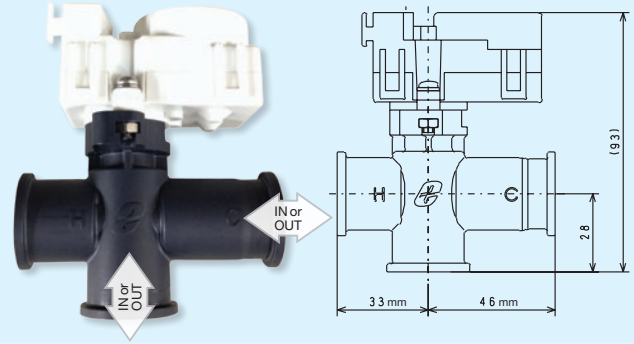
**DPV MANUAL 3-WAY VALVE**



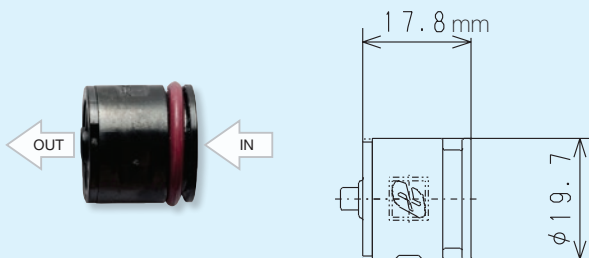
**MAM ELECTRIC MIXING VALVE**



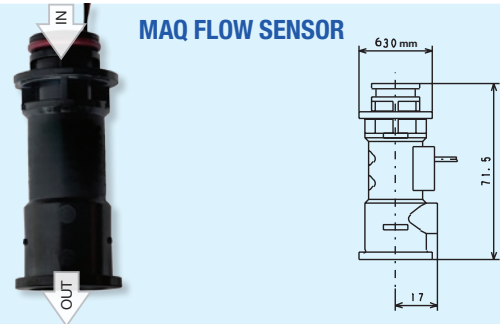
**MAM 2-WAY FLOW CONTROL VALVE**



**MAV CHECK VALVE**



**MAQ FLOW SENSOR**



SPECIFICATIONS	FUJIKOKI PRODUCTS					
	MAM (3-Way)	MAQ	MAV	DPM	DPV	MAM (2-Way)
Water Temp	0~90°C (32~194°F)	0~90°C (32~194°F)	0~90°C (32~194°F)	0~90°C (32~194°F)	0~90°C (32~194°F)	0~90°C (32~194°F)
Max Pressure	0.4 MPa G (58psig)	0.4 MPa G (58psig)	0.4 MPa G (58psig)	0.4 MPa G (58psig)	0.4 MPa G (58psig)	0.4 MPa G (58psig)
Flow Rate	—	2~35 L/min (0.53~9.2 gpm)	—	—	—	—
Cv	4.5	—	3.4	4	4	4.5
Moving Range	0~1,600P	—	—	0~3,060P	—	0~1,600P
Drive Voltage	DC 12V	DC 12V	—	DC 12V	—	DV 12V
Power	5.4W	0.16W	—	5.4W	—	5.4W